

ARMSTRONG



End Suction Fire Pumps & Packaged Systems

FILE NO:	F43.40IN
DATE:	Aug. 31, 2011
SUPERSEDES:	New
DATE:	New

Armstrong Pumps, Hallmark of Quality

Armstrong Series 40MF End Suction Fire Pump is the perfect solution for small capacity diesel driven fire applications. It offers all the well known features of Armstrong Quality products.



Design Features

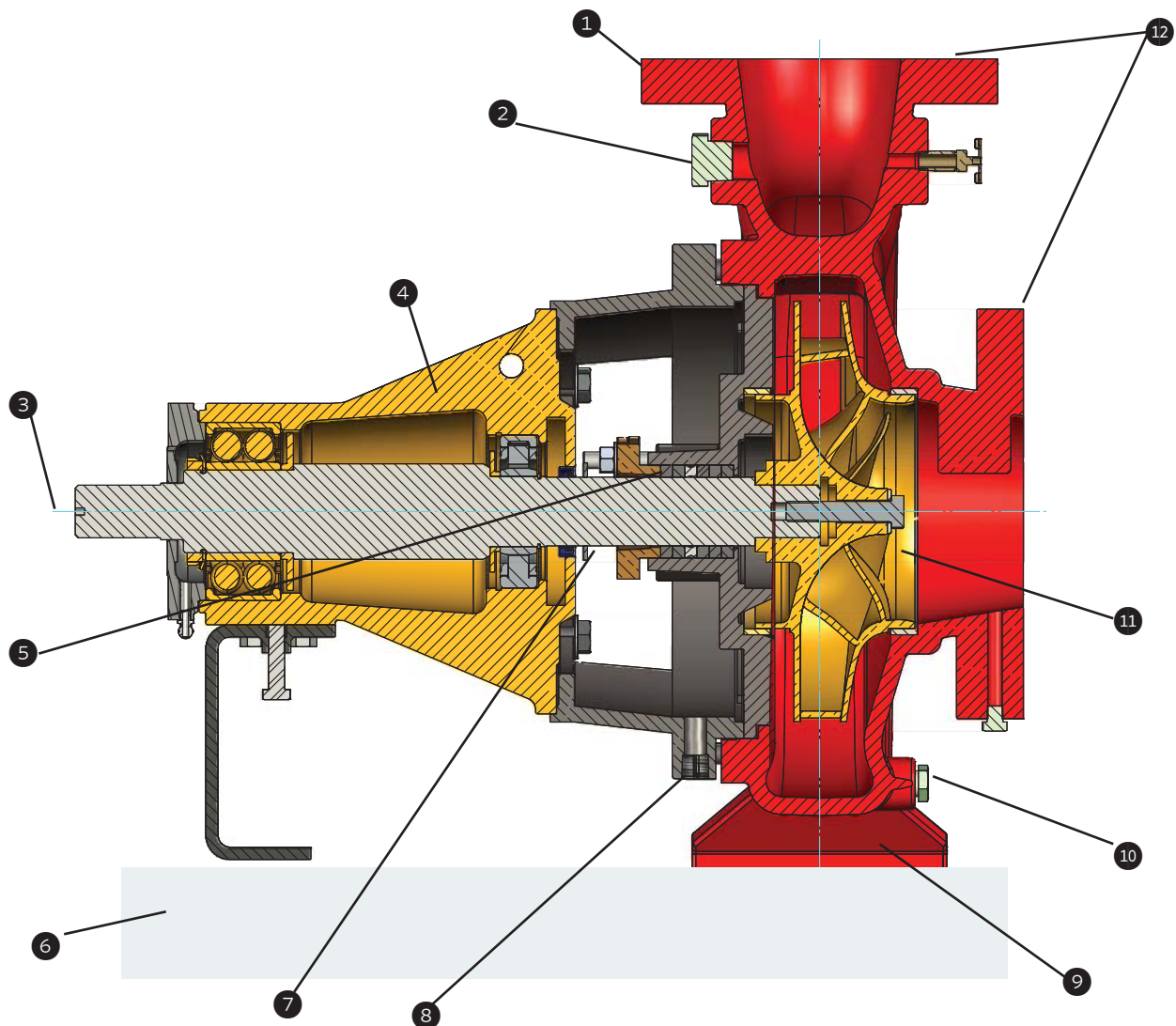
- Ideal for flows from 250 USGPM to 1500 USGPM
- Compact diesel package
- More economical than hsc diesel packages
- Back pullout design for easy maintenance
- Self venting centerline discharge
- Low NPSH requirements
- One-piece baseplate
- UL listed coupling for all electric units
- OSHA coupling guard
- Drain and gauge connections
- Ductile Iron, Bronze-fitted construction
- Two-Plane dynamically balanced impeller

4 x 3 x 13FM - Approved Range

FLOW (USGPM)	50HZ HEAD (PSI)	DIESEL HEAD (PSI)
250	45-92	42-96
300	44-212	41-122
400	49-211	45-220
450	60-206	41-218
500	101-207	40-215
750	102-190	41-200
1000	98-168	55-168
1250	87-162	54-162
1500	112-152	83-152
1750	--	106-147

The pump is rated for fire at various diesel speeds such as 2100 RPM, 2350 RPM, 2600 RPM and 3000 RPM. Contact your local representative for all the details.

Base Mounted Centrifugal End Suction Fire Pump



1 Pump Casing

- Top centerline discharge, self venting to eliminate vapor lock.
- Designed to withstand the high pressure requirements typical in Fire Protection applications.
- Radial split design allows removal of bearing assembly and impeller without disturbing pipe connection.

2 Gauge Connection

- Drilled and tapped for discharge gauge connection.

3 Coupling

- UL Listed half spacer coupling on all Electric units.
- Flexible connecting shaft on all Diesel units.
- OSHA coupling guard provided on all pumping units.

4 Bearing Assembly

- Regreaseable bearings carry design loads.

5 Packed Gland Seal

- Graphite packing
- Teflon lantern ring.

6 Baseplate

- Heavy fabricated steel baseplate, rigidly constructed to provide proper alignment of pump and motor.

7 Shaft Sleeve

- Replaceable stainless steel sleeves.
- Protect shaft through stuffing box.

8 Drip Containment

- Fitted with drain connection.

9 Pump Base

- Base supported casing eliminates need to support casing when bearing assembly is removed.

10 Casing Drain

- Drilled and tapped connection for drain.

11 Impeller

- Dynamically balanced cast bronze.

12 Flanges

- ANSI and PN available.

Typical Specifications

End Suction Fire Pump - Electric Motor Driven*

Supply and install as indicated on plans one (1) fire pump system consisting of:

1. FIRE PUMP

One Armstrong, Series 40MF, Size _____ end suction fire pump listed by [Underwriters Laboratories Inc. (UL)] and/or [approved by Factory Mutual (FM)] having a capacity of _____ L/MIN(USGPM) for a pressure boost of _____ kPa (PSIG). Suction pressure _____ kPa (PSIG).

Pump casing shall be radially split, top centerline discharge, self venting casing. The pump construction shall be ductile iron, bronze fitted and shall be fitted with packing. The shaft shall be fitted with stainless steel sleeve and be supported by two back to back thrust ball-bearings and one radial roller bearing. The back pullout design shall allow the complete rotating assembly to be removed without disturbing the casing piping connections.

Each stuffing box shall be fitted with a three-piece bronze gland. Stuffing box shall be fitted with a stuffing box extension to facilitate the packing rings removal. Packing rings shall be removable without disturbing wetted parts or the pump bearings. Water seal rings made from non-corroding material shall be piped to pump volute.

2. ELECTRIC MOTOR

The fire pump shall be directly coupled through a UL Listed half-spacer coupling to a horizontal electric motor with a maximum kW(HP) of _____ at _____ RPM, _____ VOLT, _____ PHASE _____ CYCLE. Motor shall be UL Listed for fire pump service, open drip proof, standard efficiency with 1.15 service factor.

3. MINIMUM FITTINGS

The pump shall be supplied with the following accessories:

- One (1) combination suction gauge 3½" dial type with ¼" cock and lever handle.
- One (1) discharge gauge, 3½" dial type, with ¼"cock and lever handle.
- One (1) casing pressure relief valve.

4. OTHER ACCESSORIES

Pump shall be fitted with one (1) eccentric suction reducer and one (1) concentric discharge increaser, as required (by mechanical contractor) to fit NFPA 20 recommended piping sizes.

One (1) outside test header shall be supplied with one (1) set of _____ x 2½" hose valves with caps and chains.

5. FIRE PUMP CONTROLLER

The fire pump controller shall be specifically approved for fire pump service by [UL] and/or [FM]. The controller shall be of the combined manual and automatic stop, _____ starting

method, Model _____ as manufactured by _____. All equipment shall be enclosed in an approved drip proof enclosure. The control equipment shall be completely assembled, wired and tested at point of manufacture prior to shipment.

Circuit breaker shall have an interrupting capacity of _____ kAMPS or a withstand rating of _____ kAMPS RMS.

Water pressure switch shall be suitable for _____ kPa(PSIG) working pressure.

5A. FIRE PUMP CONTROLLER AND AUTOMATIC TRANSFER SWITCH COMBINATION

The automatic transfer switch controller combination shall be approved by [UL] and/or [FM], Model _____ as manufactured by _____. The automatic transfer switch and the pump controller shall each be mounted in separate enclosure, mechanically attached to form one unit and provide for protected interlock wiring.

The automatic transfer switch shall be capable of automatic power transfer from normal to alternate _____ [generator] [second utility] emergency power source in case of normal supply failure and automatically re-transfer after restoration of normal power conditions.

6. JOCKEY PUMP

The jockey pump shall be manufactured by Armstrong Model _____ for a capacity of _____ L/MIN (USGPM) and a pressure boost of _____ kPa(PSIG). The jockey pump shall be driven by an [open drip proof] [totally enclosed fan cooled] electric motor of _____ kW(HP) _____ RPM _____ VOLT _____ PHASE _____ CYCLE.

7. JOCKEY PUMP CONTROLLER

The jockey pump shall be controlled by an automatic jockey pump controller model _____ as manufactured by _____ with full voltage starter.

8. MOUNTING AND TESTING

The fire pump shall be suitable for a maximum working pressure of _____. The fire pump shall be hydrostatically tested at twice the maximum working pressure for at least 5 minutes. The fire pump shall be performance tested at rated speed. The fire pump shall furnish remove less than 150% of rated capacity at a pressure not less than 65% of rated head. The shut-off total head of the fire pump should not exceed 140% of total rated head. A certified test curve, indicating the flow, head, power and efficiency shall be supplied for the field acceptance test. The fire pump and electric motor shall be base mounted and aligned at the pump manufacturer's factory. Final alignment shall be made after installation on site.

* Please refer to Armstrong Fire Pump Catalogue for Diesel Driven Typical Specifications.

S. A. ARMSTRONG LIMITED

23 Bertrand Avenue
Toronto, Ontario
Canada, M1L 2P3

T 416-755-2291

F 416-759-9101

ARMSTRONG INTEGRATED LIMITED

Wenlock Way
Manchester
United Kingdom, M12 5JL

T +44 (0) 8444 145 145

F +44 (0) 8444 145 146

ARMSTRONG DESIGN PRIVATE LIMITED

(Unit 1- Armstrong Manufacturing Center)
490-L, 4th Phase, Peenya Industrial
Area, Bangalore, India 560 058

T +91 (80) 4906 3555

F +91 (80) 2334 3535

